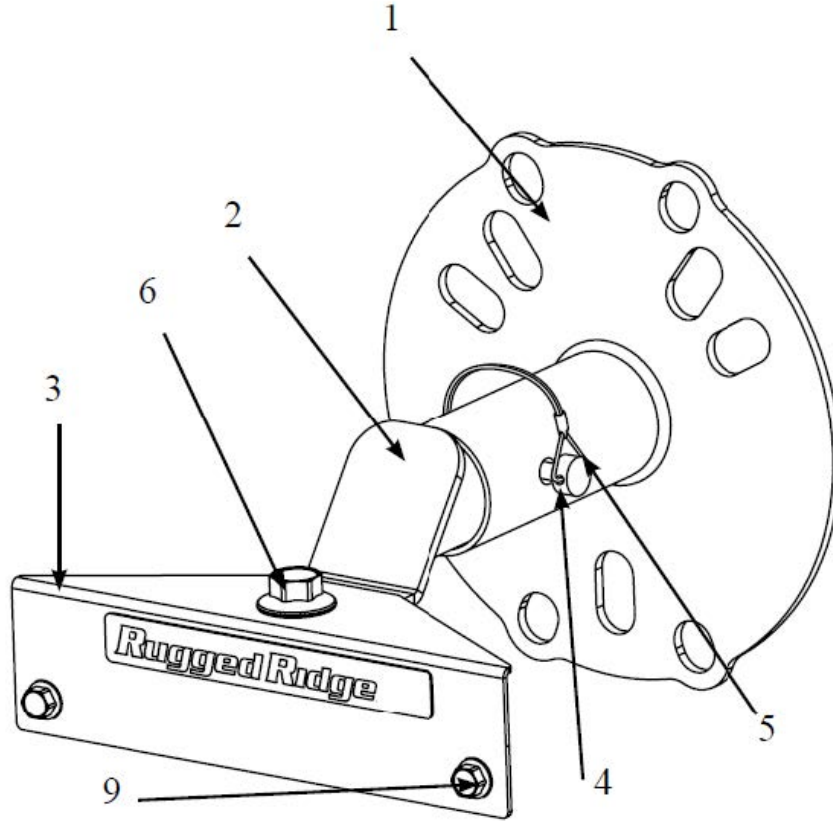


Spare Tire Light Mount, JK & JKU



Components

1. Universal Bracket.....(1)	7. M12 Washer.....(1)
2. Light Bracket.....(1)	8. M12 Nylon Lock Nut.....(1)
3. License Plate Bracket.....(1)	9. M6 Flange Bolt.....(2)
4. Clevis Pin.....(1)	10. M6 Washer.....(2)
5. Safety Catch.....(1)	11. M6 Nylon Lock Nut.....(2)
6. M12 Flange Bolt.....(1)	

OMIX-ADA® TECHNICAL SUPPORT

PHONE: M-F 8am - 5pm EST 1-800-449-6649 | EMAIL: techsupport@omix-ada.com

FOR WARRANTY INFORMATION VISIT: www.Omix-Ada.com

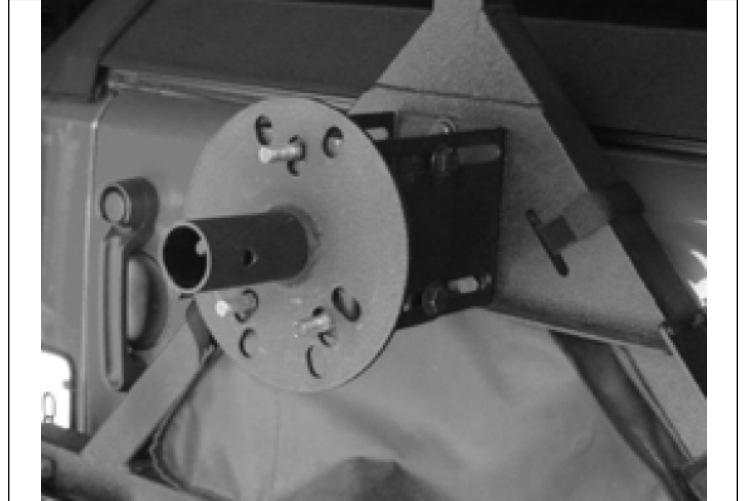


OMIX-ADA, Inc.

460 HORIZON DR. SUITE 400 | SUWANEE, GA 30024 | PHONE: 770-614-6101 | FAX: 770-614-6069 | info@omix-ada.com

Spare Tire Light Mount, JK & JKU

1. Remove spare tire from vehicle and install the Universal Bracket.



2. Place the spare tire back on the vehicle and tighten lug nuts.



3. Install Light Bracket into the Universal Plate and insert the Clevis Pin. Be sure Safety Catch is looped over the pin for retention.

Note: The light bracket can be rotated 180° depending on your needs.





OMIX-ADA, Inc.

460 HORIZON DR. SUITE 400 | SUWANEE, GA 30024 | PHONE: 770-614-6101 | FAX: 770-614-6069 | info@omix-ada.com

Spare Tire Light Mount, JK & JKU

4. Install your choice of light. If license plate relocation is desired, place License Plate Bracket between light and the Light Bracket. Make sure to tighten securely.

Note: If not using a light, use supplied M12 bolt, washer, and nylon lock nut to secure the License Plate Bracket to the assembly.



5. If using the License Plate Bracket, use the supplied M6 bolt, washer, and nylon lock nut to attach the license plate to the License Plate Bracket

